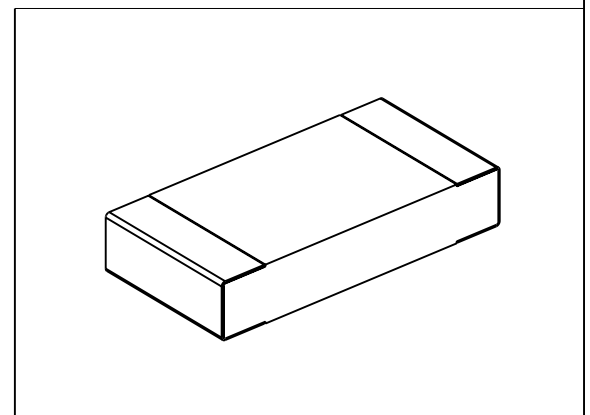
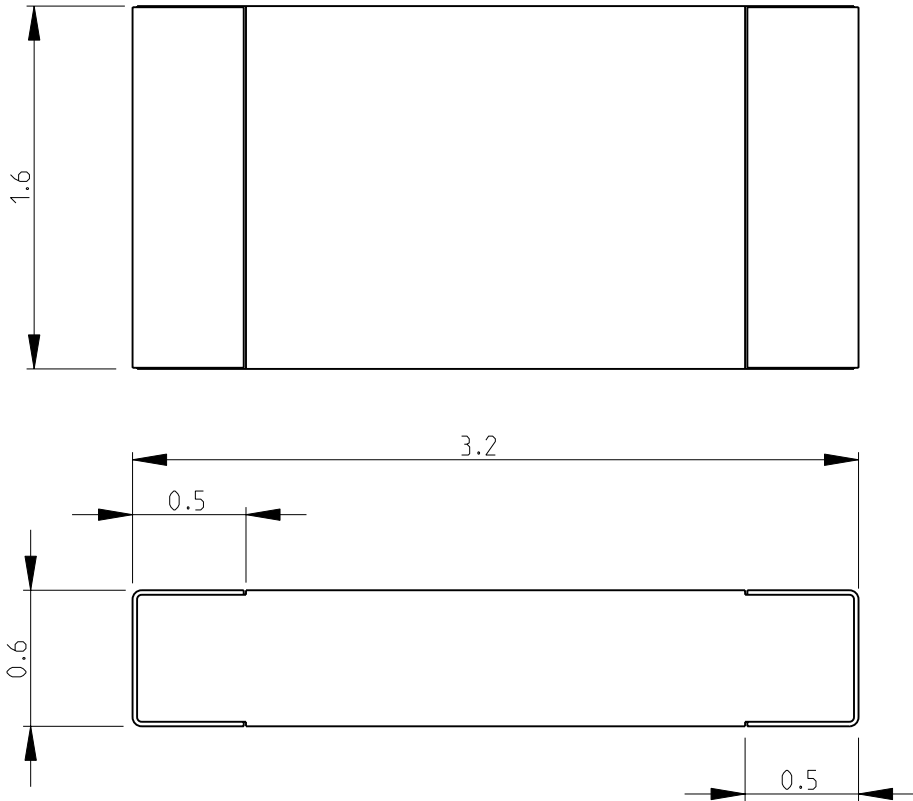


LOC	DIST	REVISIONS				
P	LTR	DESCRIPTION	DATE	DWN	APVD	
E	B	BA1	REVISED PER ECO-11-005150	31MAR2011	RK	HMR

FOR FURTHER INFORMATION SEE DATA SHEET FOR SERIES TL2B - SMD LOW-OHMIC CURRENT SENSE RESISTORS



RoHS Compliant


2009

RELEASED FOR PUBLICATION

ALL RIGHTS RESERVED.

THIS DRAWING IS UNPUBLISHED.

© COPYRIGHT 2009

DIMENSIONS: mm		DWN MAHARUDRA 30NOV2009	MATERIAL -	FINISH -
TOLERANCES UNLESS OTHERWISE SPECIFIED:		CHK ALLAN.P 30NOV2009	 TE Connectivity	
0 PLC ±0.2 1 PLC ±0.1 2 PLC ± 3 PLC ± 4 PLC ± ANGLES ±5°		APVD STEPHEN.P 30NOV2009		
		PRODUCT SPEC -	NAME SMD LOW-OHMIC CURRENT SENSE RESISTORS SERIES TL2B	
		APPLICATION SPEC -	SIZE A 4	CAGE CODE 00779
		WEIGHT -	DRAWING NO C-1625826	RESTRICTED TO -
CUSTOMER DRAWING			SCALE 30:1	SHEET 1 OF 1
			REV BA1	